

SOL^{Plus} | 3D Printer Powerhouse for Digital Dentistry



High-Capacity Biocompatible Workflows

- Large 12.7 x 21.8 cm print screen - validated to print biocompatible splints, crowns, dentures, surgical guides, and more



Technology Built for Accuracy and Reliability

- Dynamic Backlight System with heat management, extending the LCD screen life by delivering precise UV light



Industry's Fastest Resin Heater (2°C per min)

- Unlock nanoceramic hybrid resin workflows for permanent restorations
- Faster and more efficient than heating belts, heated build plates, ceramic heaters, and air controller heaters



One-Hand Operation - User Experience Optimized

- Automated post-print build platform tilt for efficient resin drip-off and cleaner results.
- Self-locking and calibrated build platform



Up to **28 Full Arches** Nested Vertically and **8 Full Arches** Nested Horizontally

Engineered for Digital Dentistry



Industrial build from frame to hood: robust, solid-metal construction



Smaller than a mobile medical cabinet - large print area with unmatched 45-micron precision



Future-proof resin compatibility thanks to its uniform 5 mW UV curing power output



Diagnostic, maintenance and troubleshooting made easy

Natively Integrated Workflow





SOL^{Plus}

Technical Specifications



3D Print Technology
LCD



Print Area
12.7 (W) x 21.8 (D) x 12 (H) cm
5 (W) x 8.6 (D) x 4.7 (H) in



UV Wavelength
385-405 nm



Dimensions
44 (W) x 37 (D) x 50.5 (H) cm
17.3 (W) x 14.6 (D) x 19.9 (H) in



XY Resolution
45 µm



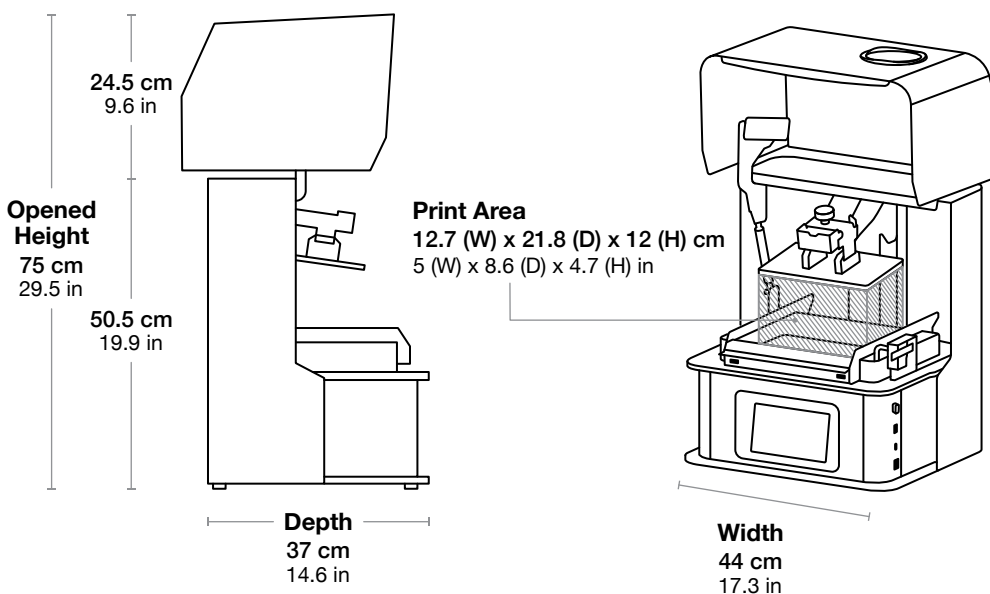
Power Input
100-240VAC, 50-60Hz



Weight
Approx. 30 kg
Approx. 66 lbs



Layer Thickness
30-150 µm



PACKAGE CONTENTS

- 1 x SOL Plus 3D Printer
- 1 x ALPHA AI Premium Free Trial Card
- 1 x **XL^{Plus}** Build Platform
- 1 x Power Cable
- 1 x Ethernet Cable
- 1 x Wi-Fi Dongle
- 1 x Hex Key
- 1 x Vat & Vat Box
- 1 x Starter Tool Kit

Visit ackuretta.com to learn more
For sales inquiries, contact sales@ackuretta.com