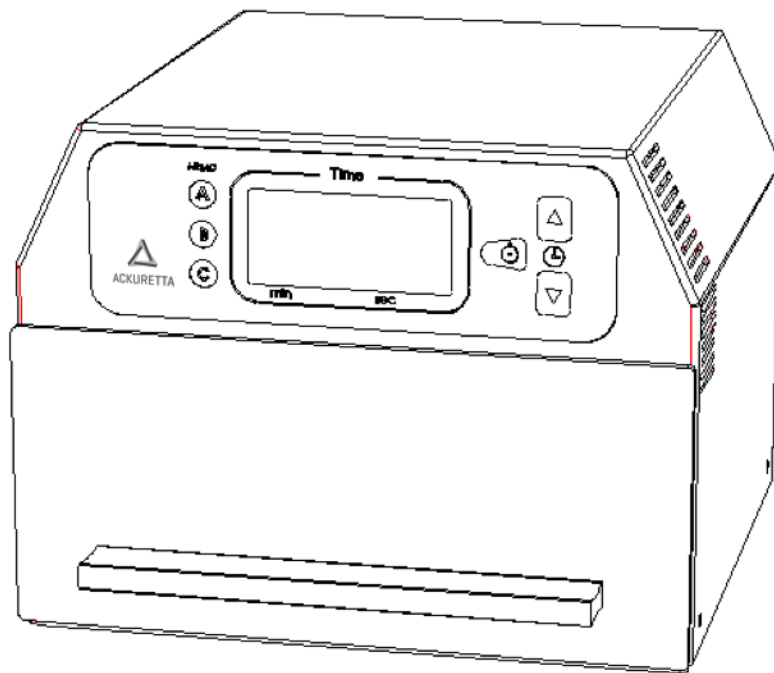


Ackuretta UV Oven

Model Name: Tray-LED



Ackuretta Technologies Pvt. Ltd.

4F-B No. 322 Neihu Road, Section 1, Neihu District, Taipei 11493 Taiwan (R.O.C.)

Tel: +886-2-7737-8330; Website: www.ackuretta.com

Table of Contents

1. Introduction.....	3
1.1 Introduction	
1.2 Features	
1.3 Signs and Symbols	
2. Safety First.....	4
2.1 Indications	
2.2 Health and Safety	
2.3 Working Environment	
3. Product Description.....	4, 5, 6
3.1 Product Specification	
3.2 Included Items	
3.3 Assembly and Initial Start-Up	
3.4 Optional Accessories	
4. Operation.....	6, 7
4.1 Switching On/Off	
4.2 Curing	
4.3 Buzzer	
4.4 Safety Switch	
4.5 Memory Function	
5. System Maintenance and Cleaning.....	7
5.1 Maintenance	
5.2 Cleaning	



EQUIPMENT NOT SUITABLE FOR USE IN THE PRESENCE OF FLAMMABLE ANESTHETIC MIXTURES WITH AIR OR WITH NITROUS OXIDE.

1. Introduction

1.1 Introduction

Dear valued customer, thank you for selecting the Ackuretta UV Oven. This curing unit is developed for polymerization of SLA/DLP resin and corresponds with CE standards.


Inappropriate use may damage equipment and be harmful to human body. Please read the relevant safety instruction in this manual. This helps you use this equipment properly and easily.


1.2 Features


1. Equipped with dental Violet L.E.D. for a longer lifespan than halogen lamps.
2. Digital display control panel with intuitive user interface.
3. Widened curing chamber room for easy placement and removal of curing part.
4. Inner surface of the chamber is lined with glossy stainless steel for even reflection of LED light and consistent curing.
5. UV Oven's buzzer will sound upon completion of the curing process.
6. Curing process is paused when UV Oven door is open for increased safety.


1.3 Signs and symbols


The signs and symbols in the user manual and on the curing unit facilitate the finding of important points and have the following meanings:


 : Caution, attention.

 : Alternating current.

 : On (supply)

 : Off (supply)

 : Turn on/off the light by pressing this button.

 : Use this button to preset the curing time. The increment is 10sec, and the longest curing time setting is 9 min 50 sec each cycle.

2. Safety First

2.1 Indications

The LED lab curing unit must only be used to cure light-activated composite and resin. The manufacturer does not assume any liability for damage resulting from misuse.

2.2 Health and Safety

1. Do not directly look into the light without safety glasses as it can lead to eye harm.
2. Do not place the unit in the immediate vicinity of heaters or other sources of heat.
3. Place the apparatus away from combustible objects.
4. Make sure that no foreign objects enter the air vent.
5. The unit must be used indoors.

2.3 Working Environment

In order to ensure optimum performance, please keep this unit in a clean environment. Dust might settle on the LED, causing malfunction of the LED or other damage.

3. Product Description

3.1 Product Specification-Technical Data:

Power Supply Voltage: 100-240 VAC 50/60 Hz
Wattage: MAX 65 W

Dimension:

Height: 150 mm
Width: 200 mm
Depth: 216 mm
Weight: 3.3 KG

Operating Environment:

Ambient Temperature: +10°C ~ +40°C
Relative Humidity: 30% ~ 75%
Ambient Pressure: 700hPa ~ 1060hPa

Transportation and Storage Conditions:

Ambient Temperature: -10°C ~ +70°C
Relative Humidity: 10% ~ 90%
Ambient Pressure: 500hPa ~ 1060hPa

Wavelength:

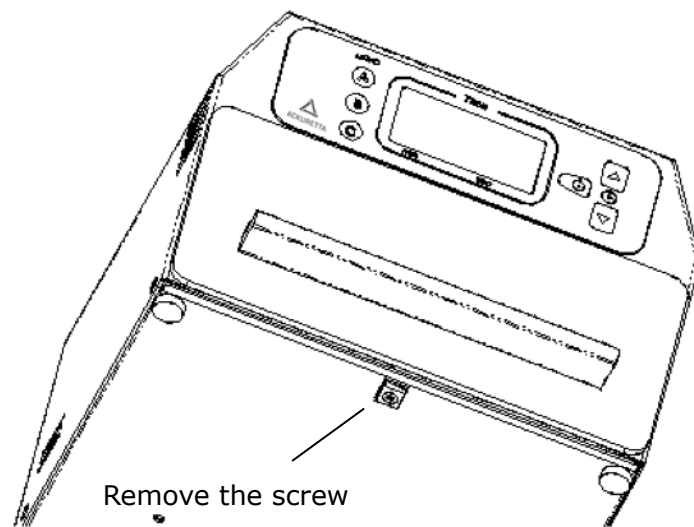
405 ± 15 nm

3.2 Included Items

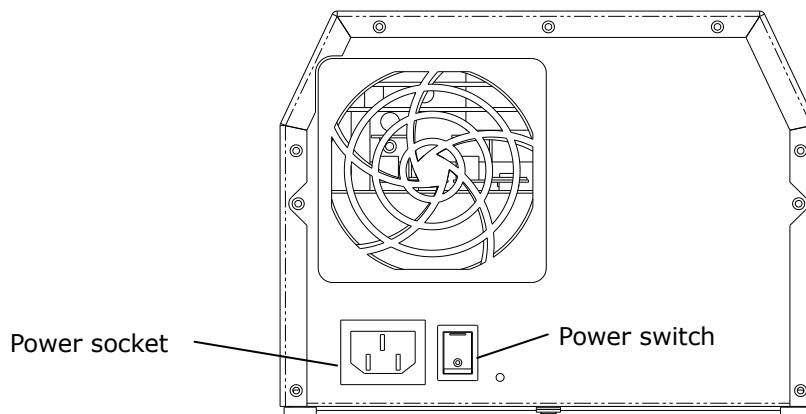
- 1 Main curing box equipment
- 1 Power cord
- 1 Protective Goggle
- 1 User Manual

3.3 Assembly and Initial Start-Up

Note: Prior to first use, please remove the screw on the bottom. Make the tray movable and ready for use.



1. Make sure that the voltage indicated on the rating plate complies with local standards.
2. Placement of UV Oven: Place the unit on a flat surface. Make sure it is not exposed to the immediate vicinity of heaters or other sources of heat. Protect the unit from direct sunlight.
3. Ensure that there is enough space between the wall and the unit for proper air circulation.
4. Connect the power cord with the power socket.

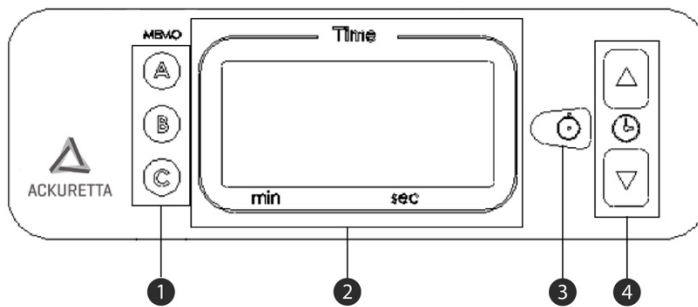


4. Operation

Preparation: Turn on the power switch on the back. Put the light-cured object in the center of the tray. Make sure the tray is well closed.

4.1 Switching on/off

Control panel consists of digital display timer, "on/off" button, "△"up, and "▽"down time adjusting button. Select your preferred curing time by pressing "△" and "▽" button. Activate on/off button to start/stop curing process.



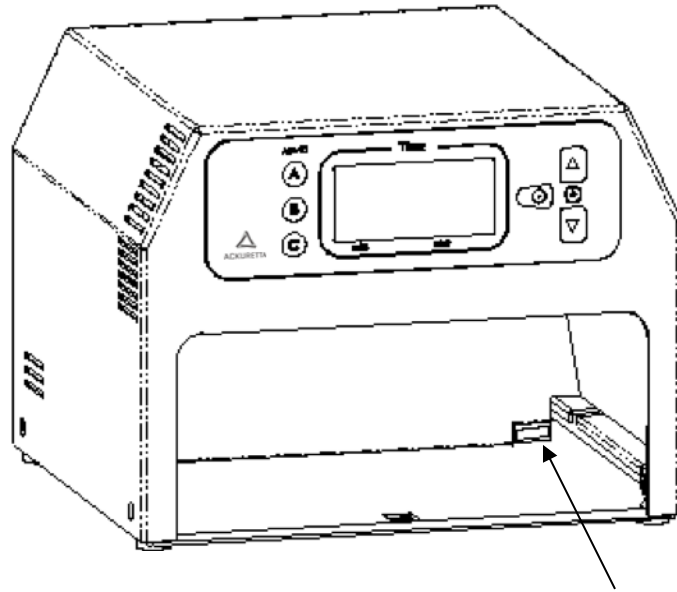
- ① Memory Function
- ② Digital Display Timer
- ③ On/Off Button
- ④ Up/Down Buttons

4.2 Curing

This unit supports 2 types of curing process: (1) Regular Continuous Mode and (2) Flashing Mode – 10 Hz on & off flashing. To activate the Regular Continuous Mode curing, hold down the On/Off button for more than 4 seconds until you hear a beeping sound. To activate the Flashing Mode curing, press the On/Off button. The UV Oven will then start the Flashing Mode curing process. The maximum curing time per cycle can be set at 9 min 50 seconds. When curing process starts, the digital timer will count down - indicating the remaining time of the process. In an emergency, stop the process by re-pressing On/Off button.

4.3 Buzzer

Audible 5-short beeping sounds upon curing process completed.



Safety switch

4.4 Safety switch

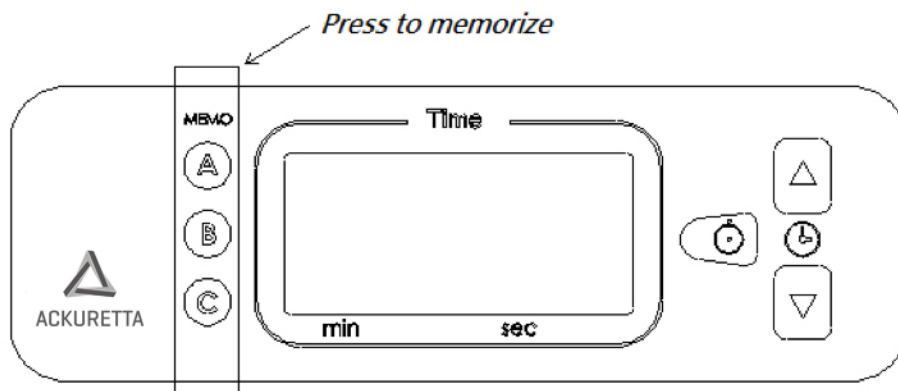
The system will be automatically suspended to protect operator when opening the door during curing. In case the tray is not well closed to trigger the safety switch, the device cannot be operated.



If you are not wearing safety goggles, do not press the safety switch when the system is suspended by opening the door. Please wear safety goggles when looking into the chamber.

4.5 Memory Function

The system features a memory function to save user-set curing times. 3 settings are available on the left side of control panel showing as three buttons, **A**, **B** and **C**. Press down each button for 5 seconds until there is a beeping sound and the numbers flash, indicating that the current curing time is memorized. Press button to recall preferred setting before use.



5. System Maintenance and Cleaning

5.1 Maintenance

Disconnect power cord before cleaning, since there is still a risk of electrical shock. The inner surface of the chamber is surrounded by glossy stainless steel to reflect the LED light. To maintain the light curing efficiency, please make sure the stainless steel is cleaned before curing.

5.2 Cleaning

Please use neutral detergent for cleaning outer surface and chamber. Do not touch LED, as sweat can considerably shorten the life cycle of the LED. The time for these maintenance/cleaning procedures depends on the frequency of use and the working habits of the users. It is recommended to clean chamber and stainless-steel reflector every 2 weeks.